

Lithium Electric Pallet Truck

1.5 ton



“The new electric pallet truck that is revolutionizing market standards”

PTE15N PRO

- 1.5-ton capacity
- Ultra-compact, lightweight design, only 125 kg
- Reinforced 4.5 mm chassis
- Ergonomic tiller with gas strut, LCD screen and PIN-code start
- 24V / 40Ah lithium-ion battery, equipped with an integrated heating system (-15°C)
- 12 Ah fast charger
- Cigarette-lighter socket charger (optional)
- HUB-EDGEPRO charging station (optional)
- Standard 90° tiller-drive mode
- Standard reinforced shock-absorbing stabilizer rollers
- Standard anti-slip drive wheel
- Automatic reduction system when cornering
- Standard battery anti-theft system
- Easily accessible external diagnostic socket
- Curtis controller
- High protection ratings (IP), ensuring robustness and longevity

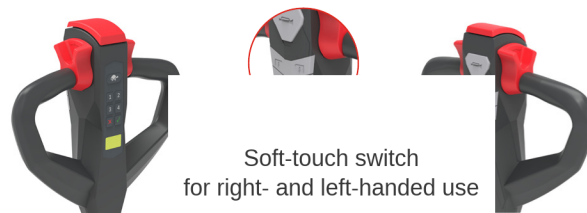


EQUIPPED WITH A TRUE BMS COMPLYING WITH THE "EN62619" STANDARD

1.5 TONNE



24V / 40Ah battery with integrated heating system, guided and secure insertion system, 70% fiberglass and 30% ABS casing (ultra-robust)



LCD screen and PIN-code start

Soft-touch switch for right- and left-handed use

New ergonomic design aimed at reducing MSDs



HUB-EDGEPRO (optional)

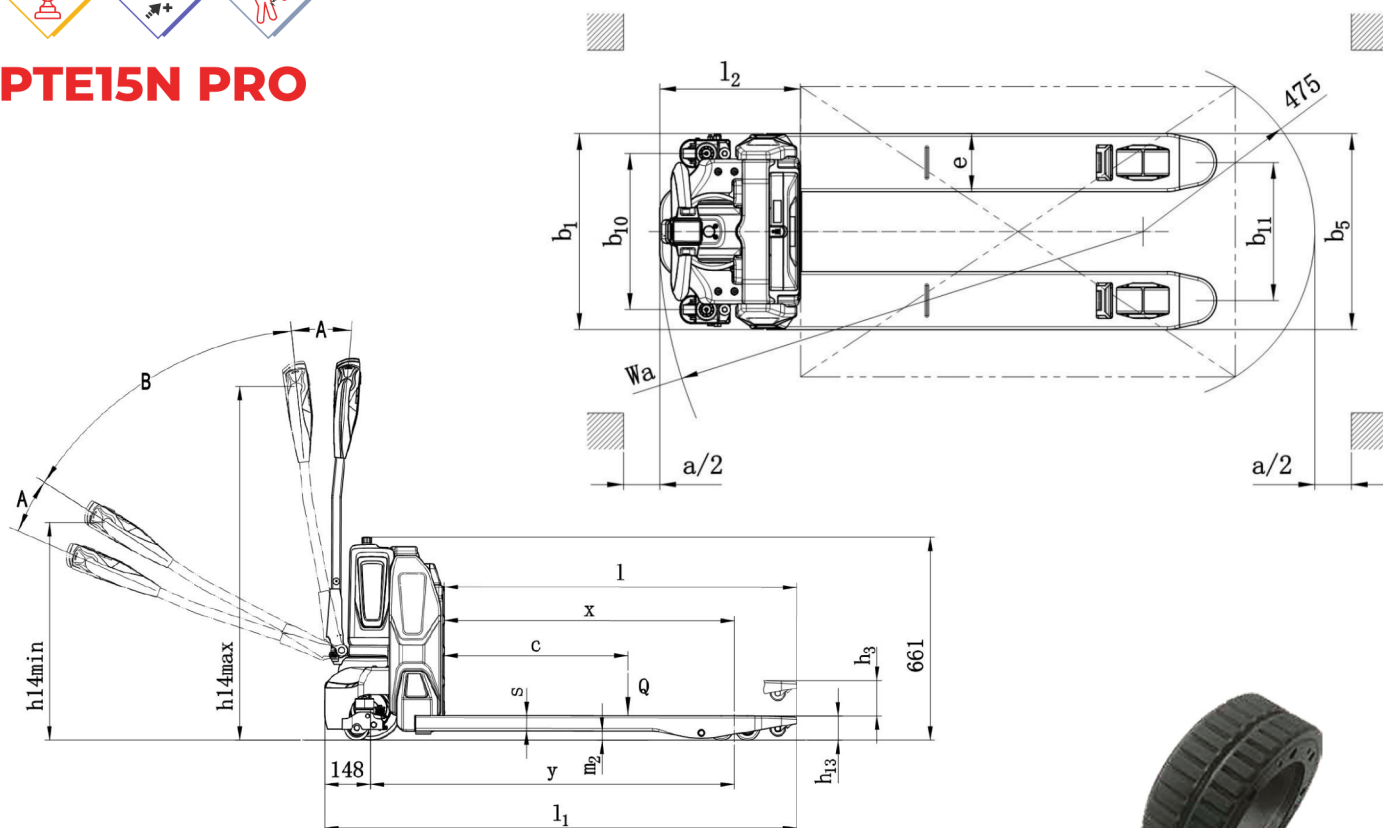
Charging station allowing up to 5 batteries to be charged simultaneously on one HUB, with the possibility of coupling several units together. Real-time charge level indicator for each battery, equipped with an alarm system and integrated fire extinguisher.

Lithium Electric Pallet Truck

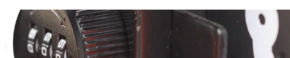
1.5 ton



PTE15N PRO



Anti-slip polyurethane
wheel
Ø210 mm x 70 mm



Battery locking system
with combination padlock
(anti-theft)



Load backrest
(optional)

Model	PTE15N PRO	
Trade name		EDGE
Power type		electric
Operation type		pedestrian
Rated capacity	Q (t)	1.5 t / load center 600 mm
Weight with battery	kg	125
Wheel material		PU/PU
Drive wheel dimensions	mm	Ø210 x 70
Front roller dimensions	mm	Ø74 x 93 / Ø80 x 70 (single roller = 80 x 93)
Stabilizer wheel dimensions	mm	Ø80 x 30
Standard lift	h3 (mm)	115
Tiller height in drive position min/max	h14 (mm)	700 / 1160
Fork lowered height	h13 (mm)	75 / 80
Overall length	l1 (mm)	1537
Length to fork face	l2 (mm)	388
Overall width	b1 (mm)	540
Fork dimensions	s/e/l (mm)	50 / 160 / 1150
Outer fork width	b5 (mm)	540
Ground clearance	m2 (mm)	25 / 30
Aisle width with 800 x 1200 mm pallet, lengthwise	Ast (mm)	2013
Turning radius	Wa (mm)	1336
Travel speed, without / with load	km/h	4.2 / 4.7
Lift speed, without / with load	mm/s	20 / 25
Lowering speed, without / with load	mm/s	50 / 40
Gradeability, without / with load	%	6 / 16
Service brake		electromagnetic
Drive motor, S2 60 min power	kW	0.65
Lift motor, S3 10% power	kW	0.5
Battery voltage / rated capacity K5	V/Ah	24 / 40
Battery weight	kg	5.8
Noise level per EN 12053, at operator's ear	dB(A)	<70